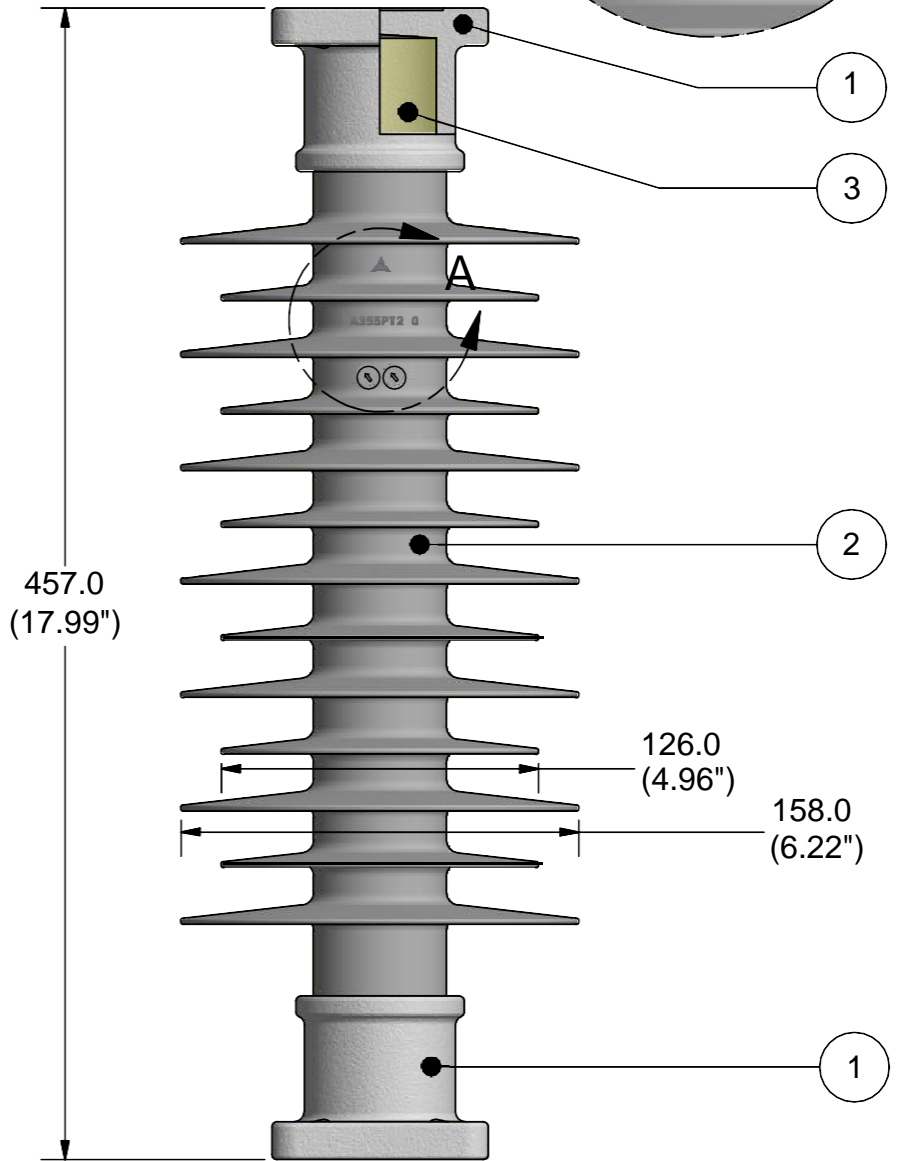
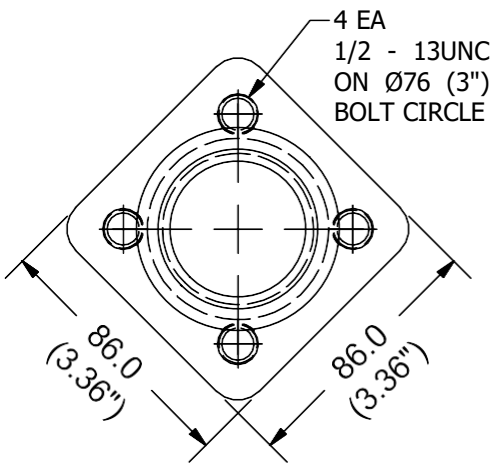
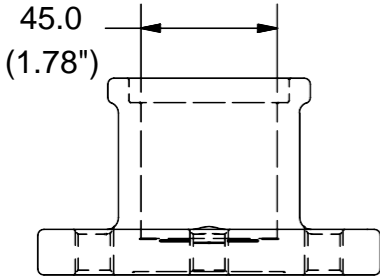
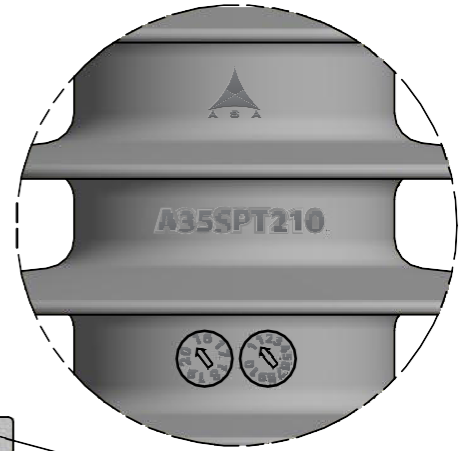


REV.	DATE.	DESCRIPTION.	APPD.

ALL DIMENSIONS ARE IN 'mm'



DIMENSIONS	UNIT	
Insulator Height	mm (")	457 (18)
Minimum Leakage Distance	mm (")	1403 (55)
Minimum Arcing Distance	mm (")	382 (15)

ELECTRICAL RATINGS		
1. Voltage Rating	kV	35
2. BIL Rating	kV	200
3. Low Frequency Wet Withstand Voltage	kV	80
4. Low Frequency Wet Flashover Voltage	kV	95
5. Low Frequency Dry Flashover Voltage	kV	110
6. Positive Critical Impulse Flashover Voltage	kV	225
7. Radio-Influence Voltage		
Min. Test Voltage	kV	22
Max RIV @ 1000kHz	µV	100

MECHANICAL RATINGS		
Specified Cantilever Load (SCL)	kN (lbs)	8.9 (2000)
Max Design Cantilever Load (MDCL)	kN (lbs)	6.6 (800)
Compression Strength	kN (lbs)	44 (15000)
Specified Tensile Load (STL)	kN (lbs)	71 (16000)
Torsion Load (TL)	N.m (ft.lbs)	580 (430)

APPLICABLE STANDARDS
ANSI C29.9 & CAN_CSAC156.1

ENDFITTINGS GALVANIZING OPTIONS
1. ArmorGalv® Thermal Diffusion 3000hr Salt Fog Tested - Environment-friendly, cost effective corrosion protection.
2. Hot Dip Galvanization

3.	CORE ROD	FIBRE GLASS	EPOXY IMPREGNATED	1 NO	
2.	HOUSING	SILICONE RUBBER	HTV	1 NO	
1.	END FITTING	SGCI-500/7 (TDG)	IS:1865-1991 & IS:2629-1985	1 NO	
ITEM	DESCRIPTION	MATERIAL	SPECIFICATION	QTY.	REMARKS

PART NO. A35SPT210			DRAWN	LIAM
35kV COMPOSITE STATION POST INSULATOR			CHECKED	RAJKUMAR
 ASAsoft™ (Canada) Inc 179-2945 Jacklin Road, Box 221, VICTORIA, British Columbia V9B 6J9 T: 1-888-316-6562 F: 250-999-2198 info@lightweightinsulators.com			APPROVED	
			DATE	2017-02-04
			Drg. No.	210.38.5 - 16 / 6
			Rev.	05