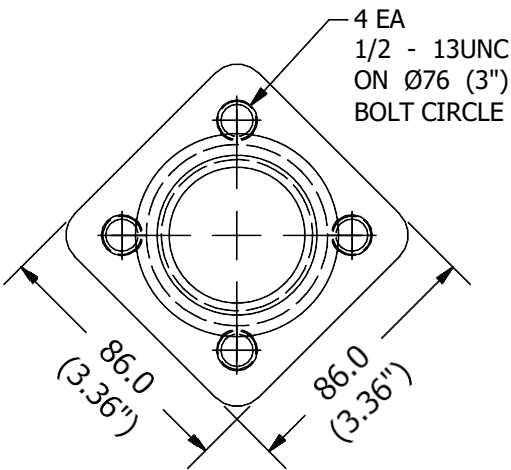
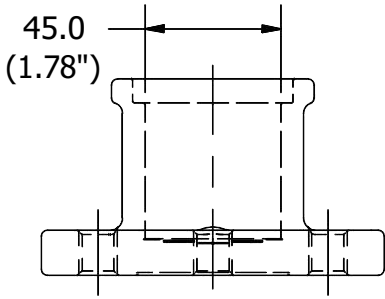


| REV. | DATE. | DESCRIPTION. | APPD. |
|------|-------|--------------|-------|
| | | | |
| | | | |
| | | | |

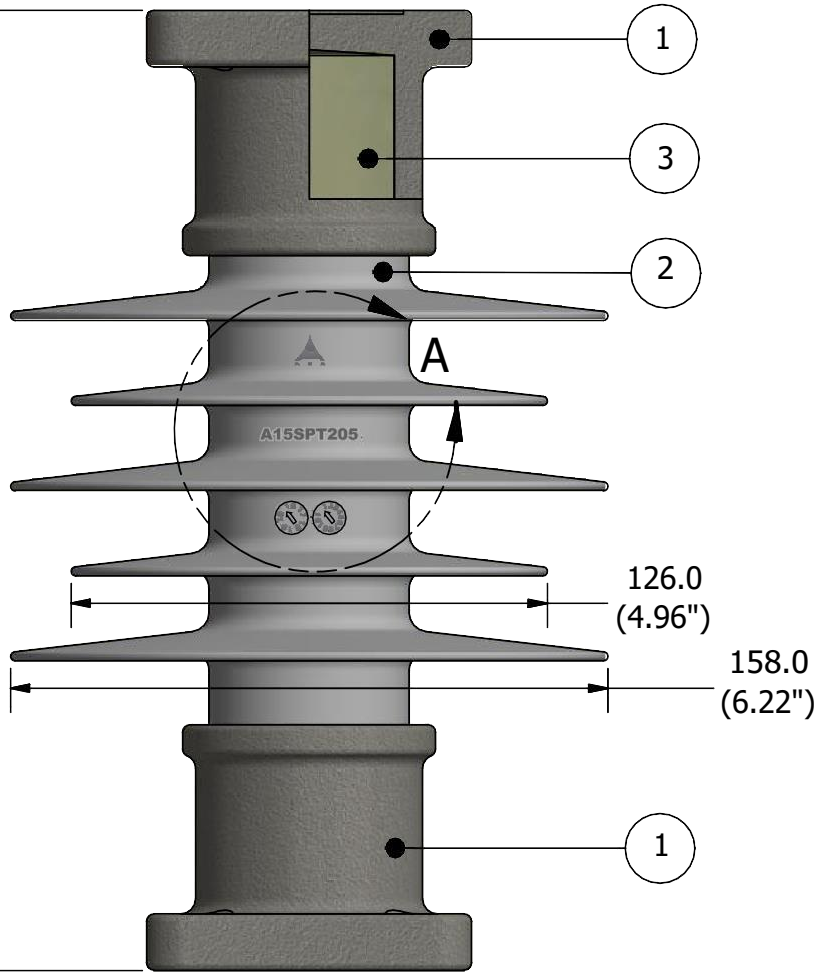
ALL DIMENSIONS ARE IN 'mm'



DETAIL A
SCALE 1 : 1



254.0
(10.0")



| DIMENSIONS | UNIT | |
|--------------------------|--------|----------|
| Insulator Height | mm (") | 254 (10) |
| Minimum Leakage Distance | mm (") | 551 (21) |
| Minimum Arcing Distance | mm (") | 195 (7) |

| ELECTRICAL RATINGS | | |
|--|----|-----|
| 1. Voltage Rating | kV | 15 |
| 2. BIL Rating | kV | 110 |
| 3. Low Frequency Wet Withstand Voltage | kV | 45 |
| 4. Low Frequency Wet Flashover Voltage | kV | 60 |
| 5. Low Frequency Dry Flashover Voltage | kV | 85 |
| 6. Positive Critical Impulse Flashover Voltage | kV | 125 |
| 7. Radio-Influence Voltage | | |
| Min. Test Voltage | kV | 10 |
| Max RIV @ 1000kHz | µV | 50 |

| MECHANICAL RATINGS | | |
|-----------------------------------|--------------|------------|
| Specified Cantilever Load (SCL) | kN (lbs) | 8.9 (2000) |
| Max Design Cantilever Load (MDCL) | kN (lbs) | 6.6 (800) |
| Compression Strength | kN (lbs) | 44 (10000) |
| Specified Tensile Load (STL) | kN (lbs) | 71 (16000) |
| Torsion Load (TL) | N.m (ft.lbs) | 580 (430) |

APPLICABLE STANDARDS
ANSI C29.9 & CAN_CSA C156.1

END FITTINGS GALVANIZING OPTIONS
1. ArmorGalv® Thermal Diffusion 3000hr Salt Fog Tested - Environment-friendly, cost effective corrosion protection.
2. Hot Dip Galvanization

| 3. | CORE ROD | FIBRE GLASS | EPOXY IMPREGNATED | 1 NO | |
|------|-------------|-------------------------|-----------------------------|------|---------|
| 2. | HOUSING | SILICONE RUBBER | HTV | 1 NO | |
| 1. | END FITTING | SGCI-500/7 (GALVANIZED) | IS:1865-1991 & IS:2629-1985 | 1 NO | |
| ITEM | DESCRIPTION | MATERIAL | SPECIFICATION | QTY. | REMARKS |

| | | | |
|---|--|------------|---------------------|
| PART NO. A15SPT205 15kV COMPOSITE STATION POST INSULATOR | | | DRAWN LIAM |
| ASAsoft™ (Canada) Inc | | | CHECKED RAJKUMAR |
| 179-2945 Jacklin Road, Box 221, VICTORIA, British Columbia V9B 6J9 T: 1-888-316-6562 F:250-999-2198 info@lightweightinsulators.com | | | APPROVED |
|  | | | DATE 2017-02-12 |
| Drg. No. 205.15.5 - 16 / 4 | | Rev. 05 | |