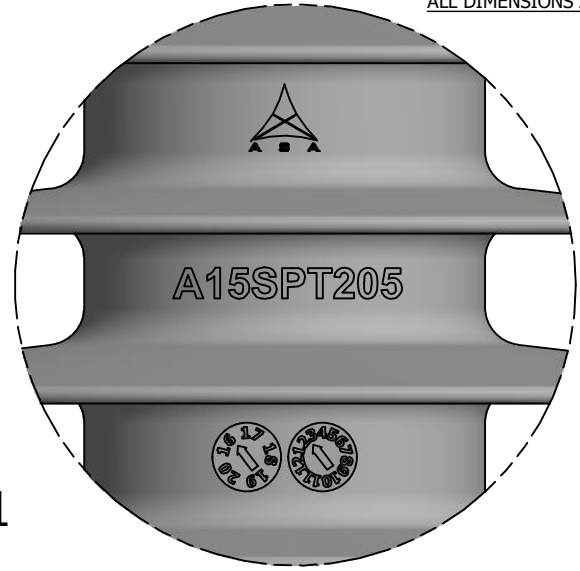
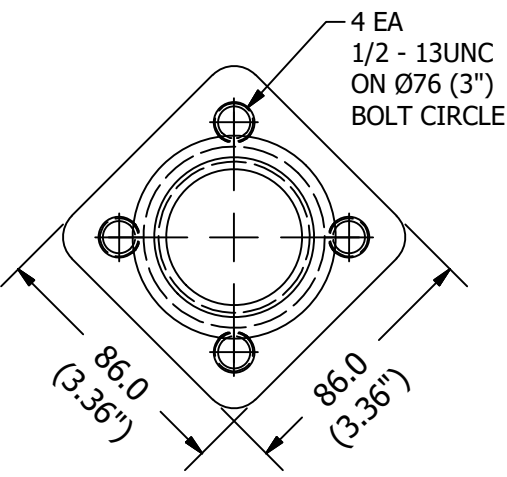
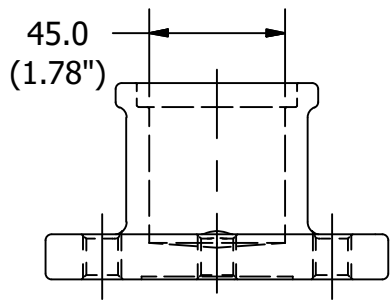


REV.	DATE.	DESCRIPTION.	APPD.

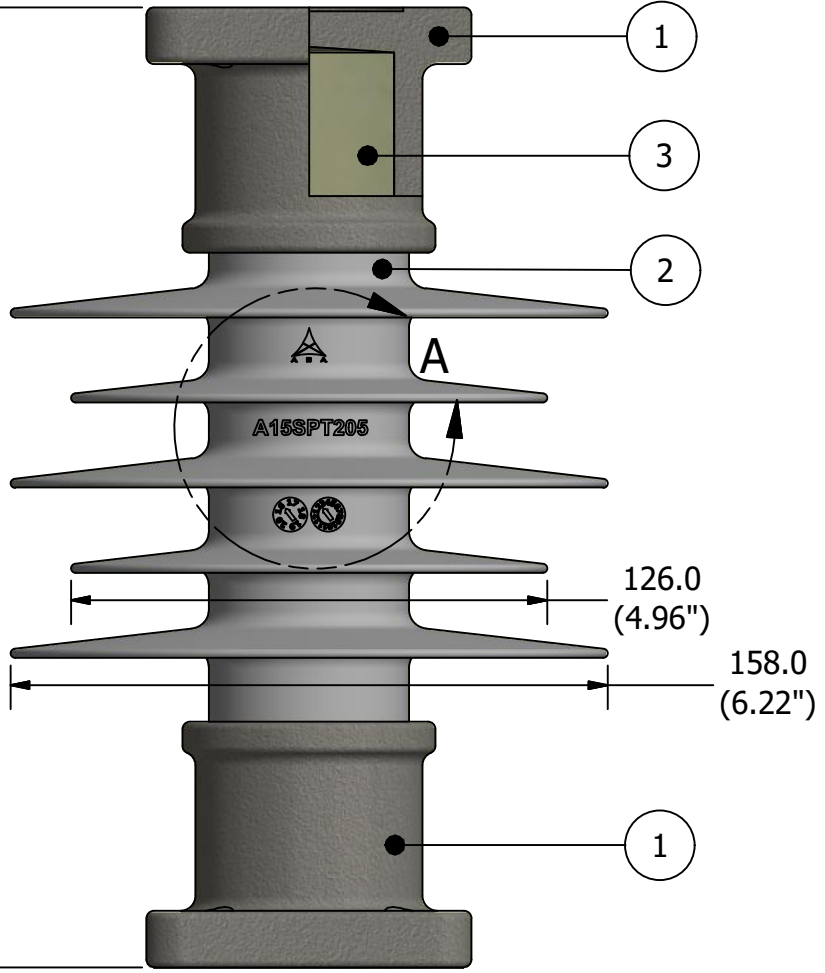
ALL DIMENSIONS ARE IN 'mm'



DETAIL A
SCALE 1 : 1



254.0
(10.0")



DIMENSIONS	UNIT	
Insulator Height	mm (")	254 (10)
Minimum Leakage Distance	mm (")	551 (21)
Minimum Arcing Distance	mm (")	195 (7)

ELECTRICAL RATINGS		
1. Voltage Rating	kV	15
2. BIL Rating	kV	110
3. Low Frequency Wet Withstand Voltage	kV	45
4. Low Frequency Wet Flashover Voltage	kV	60
5. Low Frequency Dry Flashover Voltage	kV	85
6. Positive Critical Impulse Flashover Voltage	kV	125
7. Radio-Influence Voltage		
Min. Test Voltage	kV	10
Max RIV @ 1000kHz	µV	50

MECHANICAL RATINGS		
Specified Cantilever Load (SCL)	kN (lbs)	8.9 (2000)
Max Design Cantilever Load (MDCL)	kN (lbs)	6.6 (800)
Compression Strength	kN (lbs)	44 (10000)
Specified Tensile Load (STL)	kN (lbs)	71 (16000)
Torsion Load (TL)	N.m (ft.lbs)	580 (430)

APPLICABLE STANDARDS
ANSI C29.9 & CAN_CSA C156.1

END FITTINGS GALVANIZING OPTIONS
1. ArmorGalv® Thermal Diffusion 3000hr Salt Fog Tested - Environment-friendly, cost effective corrosion protection.
2. Hot Dip Galvanization

3.	CORE ROD	FIBRE GLASS	EPOXY IMPREGNATED	1 NO	
2.	HOUSING	SILICONE RUBBER	HTV	1 NO	
1.	END FITTING	SGCI-500/7 (GALVANIZED)	IS:1865-1991 & IS:2629-1985	1 NO	
ITEM	DESCRIPTION	MATERIAL	SPECIFICATION	QTY.	REMARKS

PART NO. A15SPT205 15KV COMPOSITE STATION POST INSULATOR		DRAWN LIAM
ASAsoft (Canada) Inc		CHECKED RAJKUMAR
APPROVED		DATE 2017-02-12
		Drg. No. 205.15.5 - 16 / 4
Box 191, 110-174 Wilson St, VICTORIA, British Columbia V9A 7N7 T: 1-888-316-6562 F:250-999-2198 info@lightweightinsulators.com		Rev. 05

Published & Copyright of ASAsoft (Canada) Inc