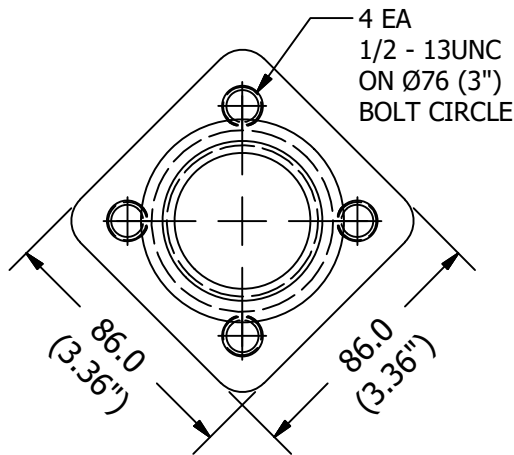
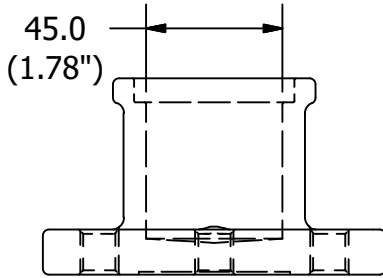


ALL DIMENSIONS ARE IN 'mm'

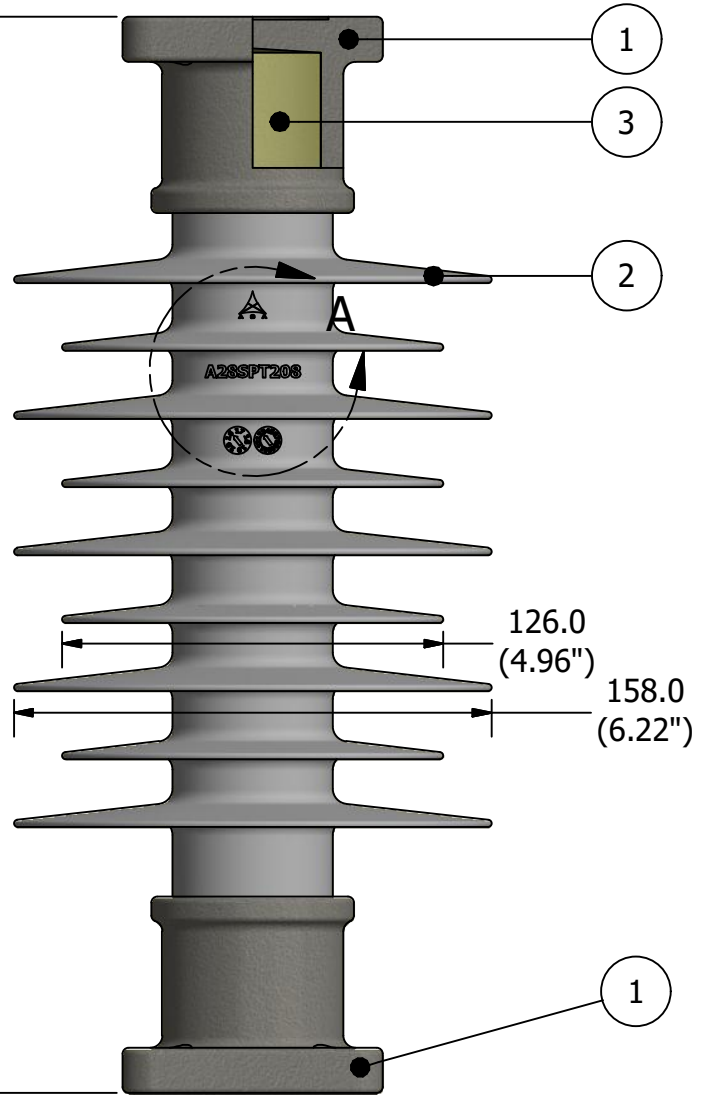
REV.	DATE.	DESCRIPTION.	APPD.



DETAIL A
SCALE 1:1.2



356.0
(14.01")



DIMENSIONS	UNIT	
Insulator Height	mm (")	356 (14)
Minimum Leakage Distance	mm (")	975 (38)
Minimum Arcing Distance	mm (")	288 (11)

ELECTRICAL RATINGS		
1. Voltage Rating	kV	28
2. BIL Rating	kV	150
3. Low Frequency Wet Withstand Voltage	kV	60
4. Low Frequency Wet Flashover Voltage	kV	75
5. Low Frequency Dry Flashover Voltage	kV	90
6. Positive Critical Impulse Flashover Voltage	kV	170
7. Radio-Influence Voltage		
Min. Test Voltage	kV	15
Max RIV @ 1000kHz	µV	100

MECHANICAL RATINGS		
Specified Cantilever Load (SCL)	kN (lbs)	8.9 (2000)
Max Design Cantilever Load (MDCL)	kN (lbs)	6.6 (800)
Compression Strength	kN (lbs)	44 (10000)
Specified Tensile Load (STL)	kN (lbs)	71 (16000)
Torsion Load (TL)	N.m (ft.lbs)	580 (430)

APPLICABLE STANDARDS
ANSI C29.9 & CAN_CSA C156.1

END FITTINGS GALVANIZING OPTIONS

- ArmorGalv® Thermal Diffusion 3000hr Salt Fog Tested - Environment-friendly, cost effective corrosion protection.
- Hot Dip Galvanization

ITEM	DESCRIPTION	MATERIAL	SPECIFICATION	QTY.	REMARKS
3.	CORE ROD	FIBRE GLASS	EPOXY IMPREGNATED	1 NO	
2.	HOUSING	SILICONE RUBBER	HTV	1 NO	
1.	END FITTING	SGCI-500/7 (GALVANIZED)	IS:1865-1991 & IS:2629-1985	1 NO	

Title		PART NO. A28SPT208		DRAWN	LIAM
		28kV COMPOSITE STATION POST INSULATOR		CHECKED	RAJKUMAR
		ASAssoft (Canada) Inc		APPROVED	
		Box 191, 110-174 Wilson St, VICTORIA, British Columbia V9A 7N7 T: 1-888-316-6562 F:250-999-2198 info@lightweightinsulators.com		DATE	2017-02-12
				Drg. No.	208.28.5 - 16 / 5
				Rev.	05

Published & Copyright of ASAssoft (Canada) Inc